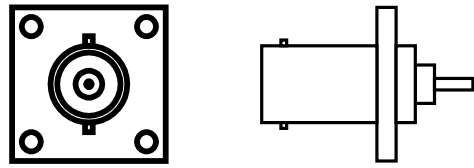
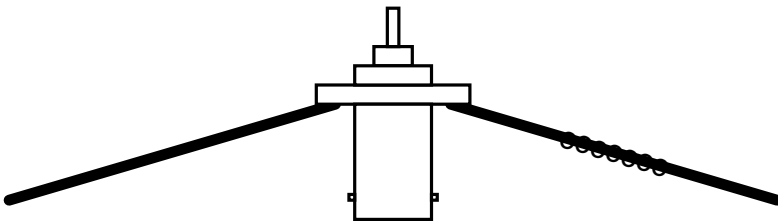


SIMPLE GROUND PLANE ANTENNA

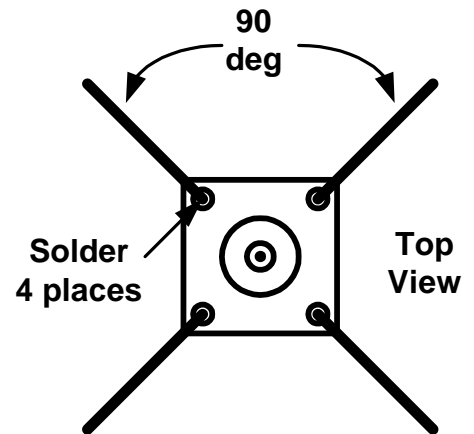
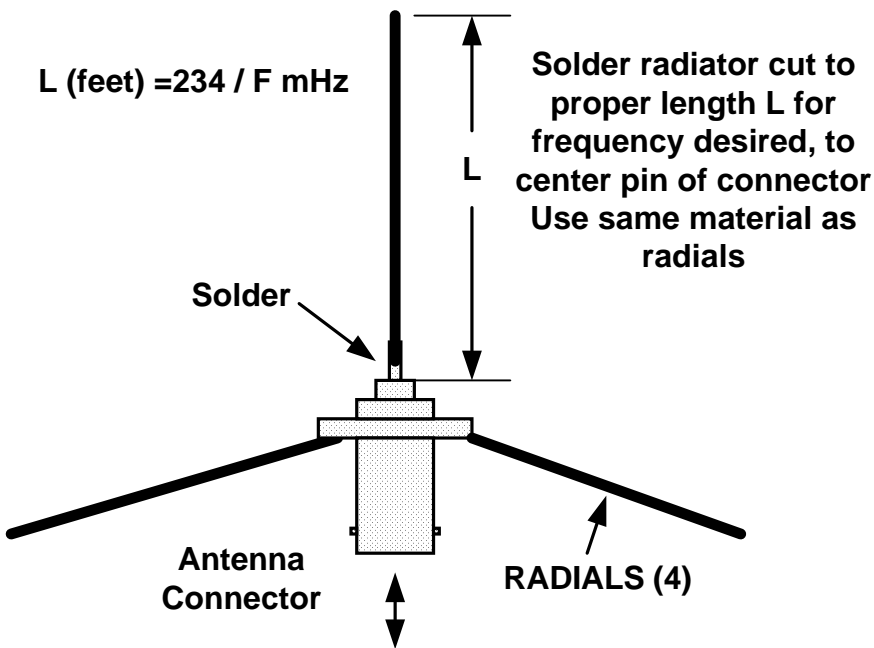


Use a connector with a square flange WITH SQUARE FLANGE

N,BNC,UHF Types are useable

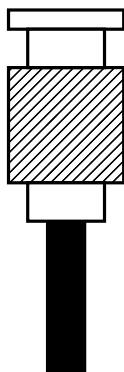


Using 1/16 to 1/8 dia. brass rod or welding rod, solder four radials as shown. Radials should be cut to length of radiator plus 5% and spaced 90 degrees as shown



RADIALS (4)
Length = Radiator + 5%

Finished Ground Plane



Mating connector and 50 ohm cable to transmitter or receiver

Note: Antenna may be supported mechanically with a bracket fastened to connector